

Hot Sprue Bushings

Products/Technical Guide



USB8 AND SB8 HOT SPRUE BUSHINGS

Notes

1. Cold bushing length must allow for thermal expansion to fit specified mold length.
2. For special "A" length order next longer model and specify exact length required - (e.g., special "A" = 2.556; order model USB8-2020).
3. For use with 3-plate molds, machine a stripper plate sleeve (see Technical Guide "Section F") in conjunction with a standard model bushing using CV-10 or CV-11 tip style.
4. When tip extension is specified, mold length "A" does not change, but is provided at the same nominal length for the given size bushing. Overall length ("OAL" on drawing) is the affected dimension.
5. 420 SS bushings are available on special order for processing PVC or other corrosive materials.

For Most Applications

Synventive USB8 and SB8 hot sprue bushings are available in standard mold lengths ("A" dimension on drawing) to exactly match standard mold plate thickness. The 1 inch (25mm) diameter tip allows the bushings to be a direct replacement for all conventional 1.0 inch and 25mm cold sprue bushings in both U.S.A. and metric standard molds.

All bushings come complete with replaceable hard radius seat, mineral insulated heater band and thermocouple hole. A .500 or .750 inch spherical radius is standard. Metric radii are provided upon specification.

Specifications

Max. Operating Pressure: 20,000 psi (1400 bar)

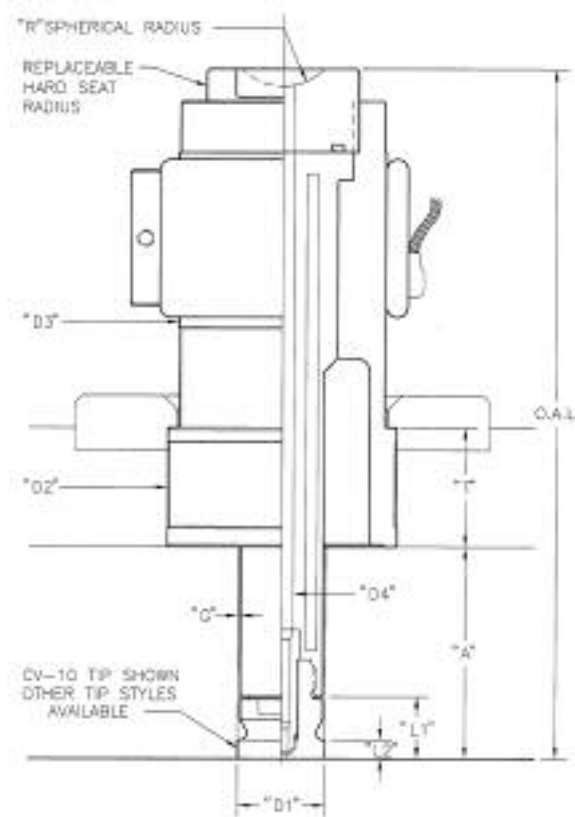
Max. Operating Temperature: 650°F (345°C)

Mode of Operation: Horizontal

Heater: 45mm (1.75) I.D. x 35mm (1.38) wide, 450 W, 120 or 240 V

Heater Clearance Diameter: 85mm (3.25)

	USB8	SB8
"A" min.	1.375	27
"A" max.	4.875	116
"D1"	1.000	25 ^{h6}
"D2"	2.000	50
"D3"	1.750	45
"D4"	.315	8
"T"	.875	26
"R"	To Suit	To Suit
"L1"	.630	16
"L2"	.197	5
"G"	.020	.50



USB8

1.000 Mold/Tip Diameter
.315 Flow Bore Diameter

SB8

25mm Mold/Tip Diameter
8mm Flow Bore Diameter



ORDERING INFORMATION – See Worksheet Page 19

To Order:

1. Choose bushing based on mold depth ("A" dimension on drawing).

Model	Maximum "A" Dimension	Cold Bushing Length	OAL
USB8-1010	1.375	1.371	5.55
USB8-1020	1.875	1.869	5.94
USB8-2010	2.375	2.368	6.34
USB8-2020	2.875	2.866	7.13
USB8-3010	3.375	3.365	7.52
USB8-3020	3.875	3.863	7.91
USB8-4010	4.375	4.362	8.31
USB8-4020	4.875	4.860	8.70

Model	Maximum "A" Dimension	Cold Bushing Length	OAL
SB8-027	27mm	26.92mm	131mm
SB8-036	36mm	35.89mm	141mm
SB8-046	46mm	45.86mm	151mm
SB8-056	56mm	55.83mm	161mm
SB8-066	66mm	65.80mm	171mm
SB8-076	76mm	75.77mm	181mm
SB8-086	86mm	85.74mm	191mm
SB8-096	96mm	95.71mm	201mm
SB8-106	106mm	105.68mm	211mm
SB8-116	116mm	115.65mm	221mm

2. Specify desired tip style based on material/ vestige height considerations (see p. 6 for tip descriptions).
3. Specify additional required information (based on tip style).
 - a. Please specify if material is glass filled. An abrasion-resistant insert will be supplied.
 - b. CV-10 tip has multiple insert orifice diameters. For optimum gate control, it is necessary to specify the required orifice diameter or specify the material, shot size and fill time for Synventive to determine what orifice diameter will best suit the application.
 - c. CV-11 tip requires that the exact tip orifice be specified on the order.
 - d. Specify 420 SS bushing if required.
 - e. See Technical Guide "Section B" for tip reduction/modification instructions.

Tip Style	Description
CV-10	Gate/Full Flow
CV-11	Gate/Cone
CV-20	Open/Full Flow
CV-21	Open/Cone

Tip Style	Spherical Radius	Tip Extension	Tip Runner Radius	Tip Orifice
	.500 or .750 (12.7 or 19mm)	0-.312 (8mm)	0-.187 (0-4.7mm)	
CV-10	Yes	Yes	Yes	No ^b
CV-11 ^a	Yes	Yes	Yes	Yes ^c
CV-20	Yes	No	No	No
CV-21 ^a	Yes	No	No	No

USB8 Cad Library Drawings

Tip Style	Drawing
CV-10	USB8CV10 (section)
CV-11	USB8CV11 (section)
CV-20	USB8CV20 (section)
CV-21	USB8CV21 (section)

Nozzle Style	Drawing
USB8-1010	US81010S (section)
	US8T (top)
USB8-1020	US81020S (section)
	US8T (top)
USB8-2010	US82010S (section)
	US8T (top)
USB8-2020	US82020S (section)
	US8T (top)
USB8-3010	US83010S (section)
	US8T (top)
USB8-3020	US83020S (section)
	US8T (top)
USB8-4010	US84010S (section)
	US8T (top)
USB8-4020	US84020S (section)
	US8T (top)

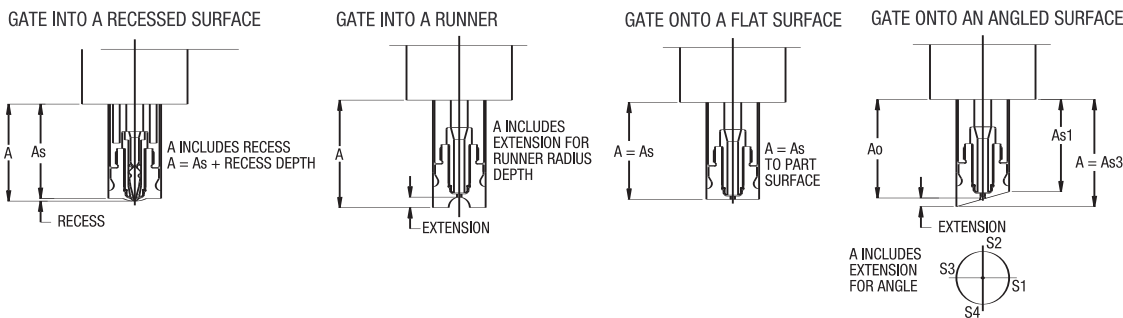
SB8 Cad Library Drawings

Tip Style	Drawing
CV-10	SB8CV10 (section)
CV-11	SB8CV11 (section)
CV-20	SB8CV20 (section)
CV-21	SB8CV21 (section)

Nozzle Style	Drawing
SB8-027	SB8027S (section)
	SB8T (top)
SB8-036	SB8036S (section)
	SB8T (top)
SB8-046	SB8046S (section)
	SB8T (top)
SB8-056	SB8056S (section)
	SB8T (top)
SB8-066	SB8066S (section)
	SB8T (top)
SB8-076	SB8076S (section)
	SB8T (top)
SB8-086	SB8086S (section)
	SB8T (top)
SB8-096	SB8096S (section)
	SB8T (top)
SB8-106	SB8106S (section)
	SB8T (top)
SB8-116	SB8116S (section)
	SB8T (top)

"A" Dimension (Mold Depth)

When tip extension is specified, mold length "A" does not change, but is provided at the same nominal length for the given size bushing. Overall length ("OAL" on drawing) is the affected dimension.



When gating into a runner, CV-20 or -21 tip styles are recommended. If using a CV-10 or CV-11 tip, tip should be "moved back" 0.25mm (.010) from parting line, so a thin wafer is molded.

SB/USB5&8 SBP/USBP8 Hot Sprue Bushing Worksheet

This worksheet needs to be filled out completely. Information not applicable, please fill in N/A.

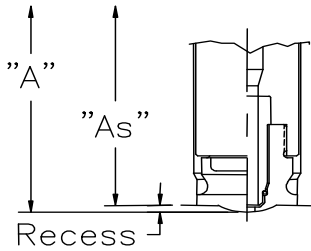
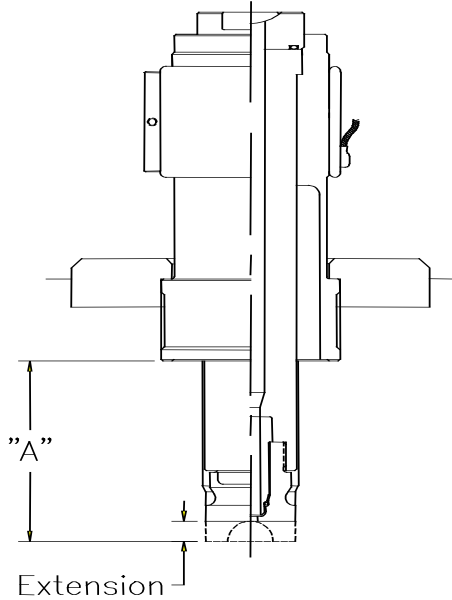
Customer Information

Company: _____

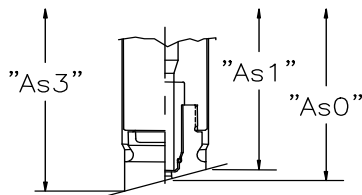
Address: _____

End User: _____

Contact: _____
Tel: _____
Fax: _____
Email: _____
Job #: _____
PO#: _____



Gating into a recessed surface



Gating onto an angled surface

Bushing Style: SB5 SBP8 (Tip Heated)
 USB5 USBP8 (Tip Heated)
 SB8
 USB8

Tip Style: CV-10 CV-20
 CV-11 CV-21

Mold "A" Length "A": _____

Tip Extension: _____
 (If no extension is required, specify "0")

Tip Orifice Diameter: _____

Molding Material:

Manufacture/Grade: _____
Filler: None Glass Other:
 _____ % of Filler

Flame Retardant: No Yes

Part Weight: _____ or **Shot Size :** _____

Number of Cavities: _____

Part; Average Wall Thickness:

Runner: No Yes, Runner Diameter: _____
Recess: No Yes, Recess Depth: _____
Angled Surface: No Yes "AsO": _____
 "As1": _____
 "As3": _____

Gating Opposite Cosmetic Surface: No Yes

Color Change: No Yes

Spherical Radius: (mates with machine nozzle tip)
 12.7 [.500] 19.05 [.750] Other: _____

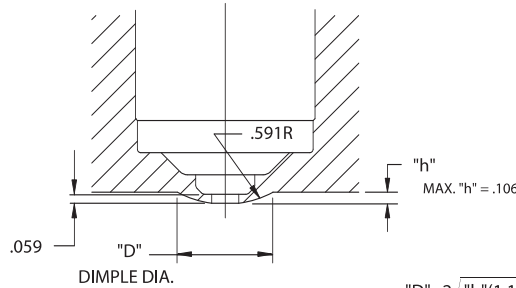
Voltage: 120 240

Special Requirements (if any): _____

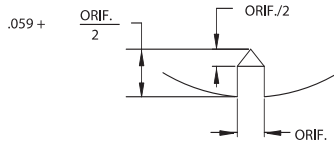
GATE MACHINING LIMITS FOR FIELD MODIFICATIONS

USB8 Bushing (inches) With CV-20 Tip

SPHERICAL GATE RECESS



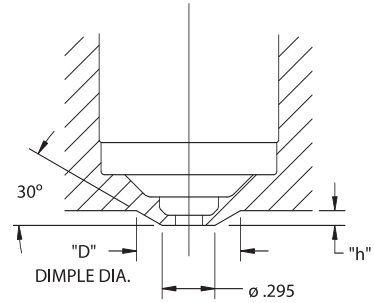
NOTE:
FOR MOST MATERIALS, CV-20 VESTIGE HEIGHT IS EQUAL TO $(.059" + \text{ORIF.}/2)$. IF VESTIGE HEIGHT RELATIVE TO THE POSSIBLE GATE RECESS DEPTH IS TOO GREAT, USE OF A CV-21 TIP IS RECOMMENDED TO PRODUCE A SHORTER VESTIGE HEIGHT.



$$"D" = 2 \sqrt{"h"(1.181 - "h")}$$

TABLE 1	
RECESS "h"	"D"
.024	.333
.035	.401
.047	.462
.059	.515
.071	.561
.083	.604
.094	.639
.106	.675

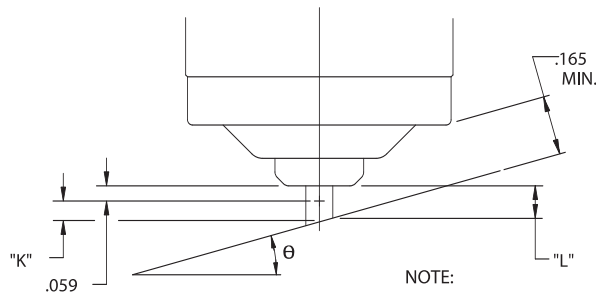
CONICAL GATE RECESS



$$"D" = .295 + 3.5 "h"$$

TABLE 2	
RECESS "h"	"D"
.024	.379
.035	.418
.047	.460
.059	.502
.071	.544
.083	.586
.094	.624
.106	.666

ANGLED MOLD CONTOUR



NOTE:
"K" IS THE INCREASE IN ORIFICE LAND NECESSARY TO MAINTAIN .165 MINIMUM WALL THICKNESS.

$$\theta \leq 14^\circ ; "K" = 0$$

$$"L" = K - \left(\frac{\text{ORIFICE DIA.}}{2} \right) \text{TAN } \theta + .059$$

$$\theta > 14^\circ ; "K" = .500 \text{TAN } \theta + \frac{.165}{\text{COS } \theta} - .295$$

$$"L" = .059 + "K" - \left(\frac{\text{ORIFICE DIA.}}{2} \right) \text{TAN } \theta$$

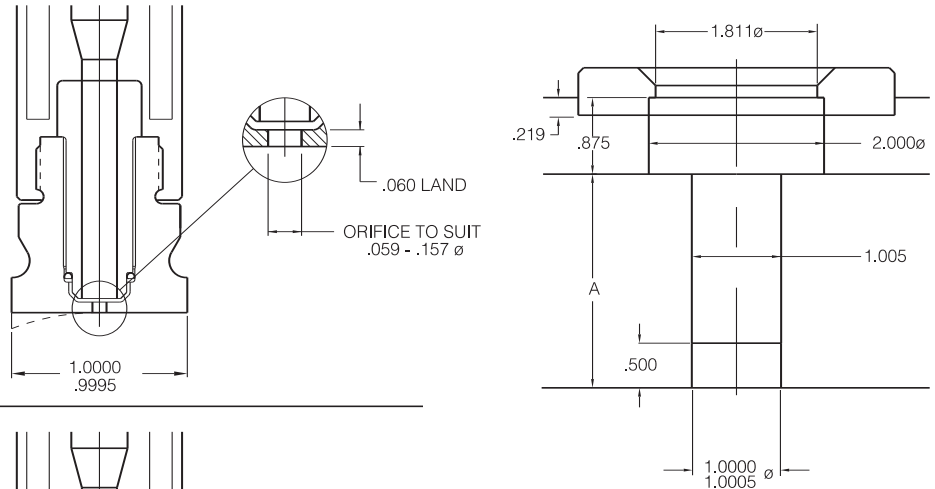
BUSHING CAVITY REQUIREMENTS BY TIP STYLE

Notes

USB8 Bushing (inches)

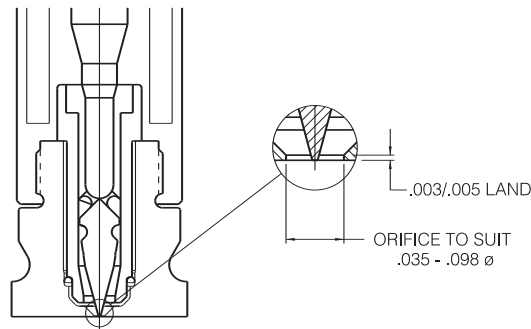
Gate Full Flow CV-10

Gate Orifice
1.5 – 4.0
(.059" – .157")



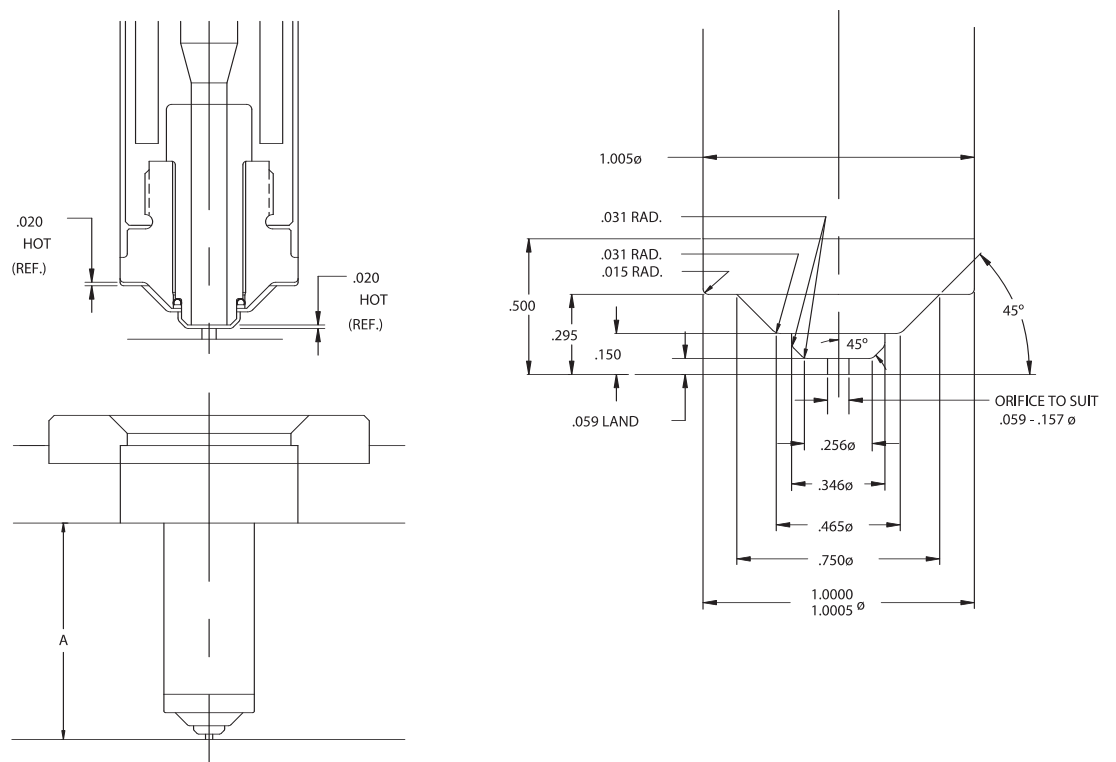
Gate Cone CV-11

Gate Orifice
0.9 – 2.5
(.035" – .098")



Open Full Flow CV-20

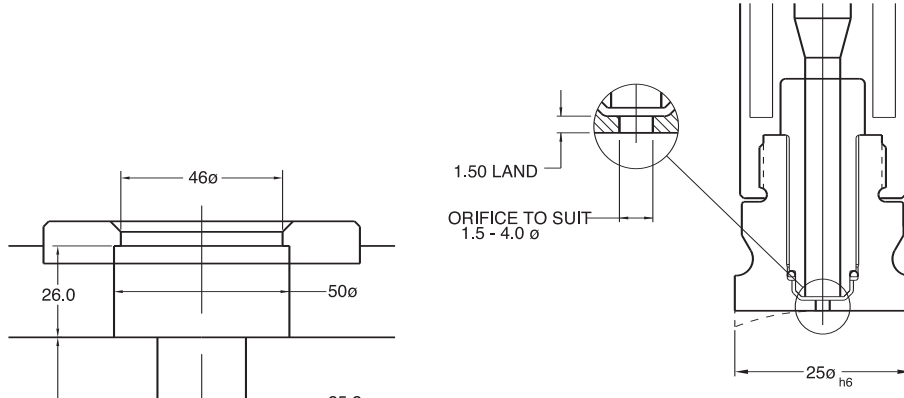
Gate Orifice
1.5 – 4.0
(.059" – .157")



SB8 Bushing (metric)

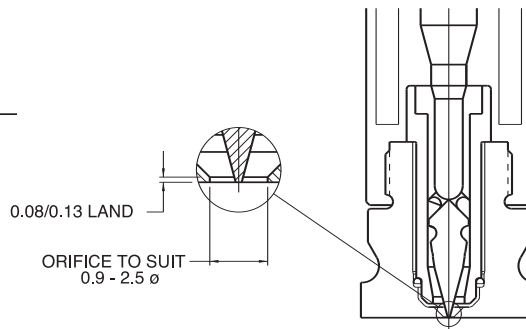
Notes

Gate Full Flow CV-10



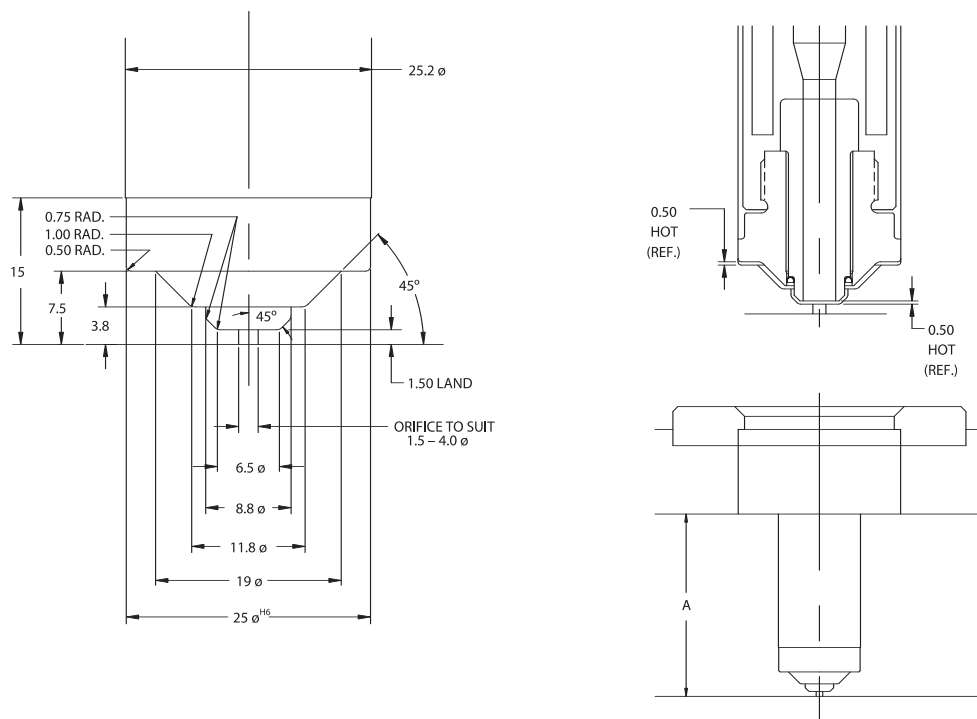
Gate Orifice
1.5 – 4.0
(.059" – .157")

Gate Cone CV-11



Gate Orifice
0.9 – 2.5
(.035" – .098")

Open Full Flow CV-20



Gate Orifice
1.5 – 4.0
(.059" – .157")

BUSHING CAVITY REQUIREMENTS BY TIP STYLE

Notes

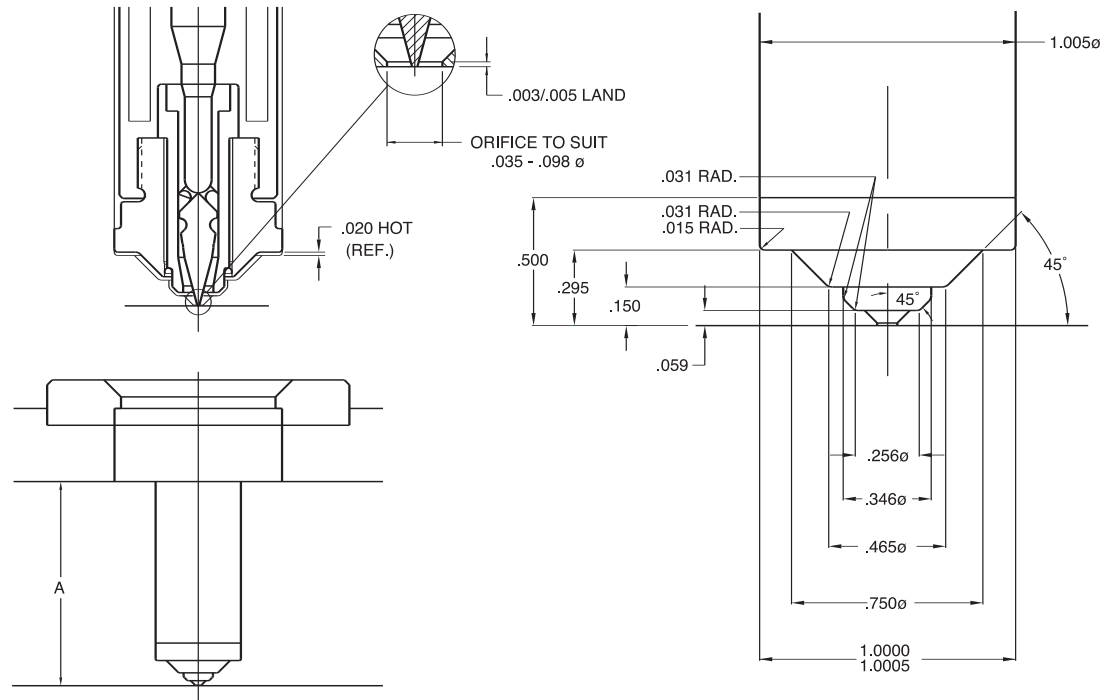
Open Cone CV-21

Gate Orifice

0.9 – 2.5

(.035" – .098")

USB8 Bushing (inches)



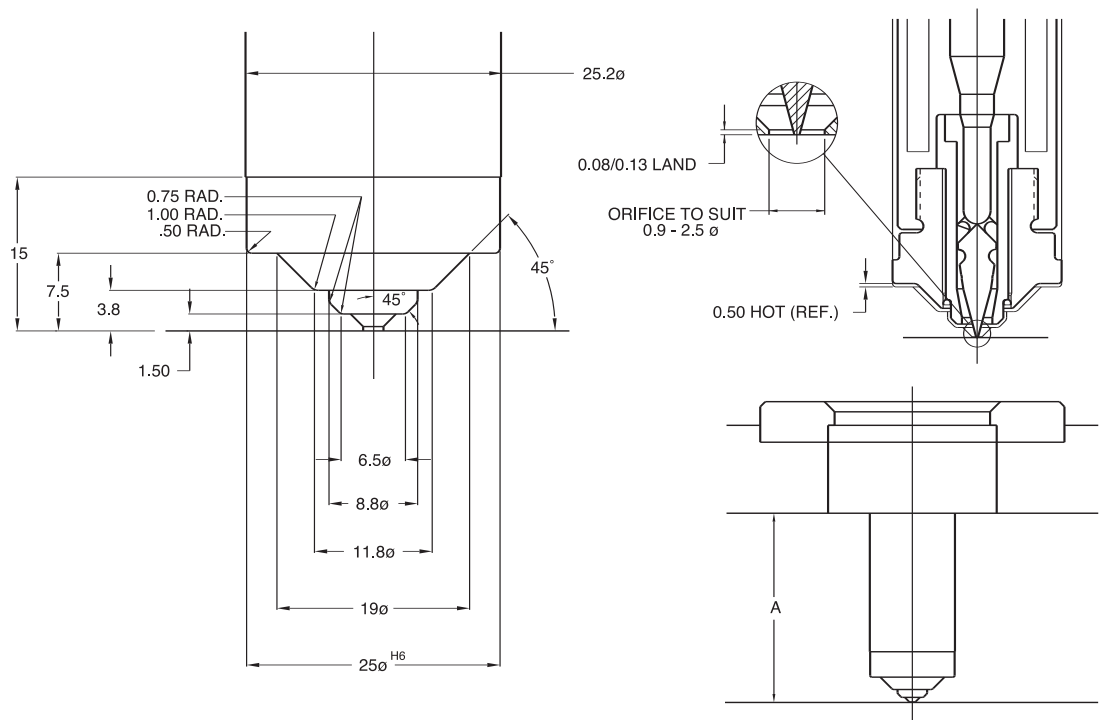
SB8 Bushing (metric)

Open Cone CV-21

Gate Orifice

0.9 – 2.5

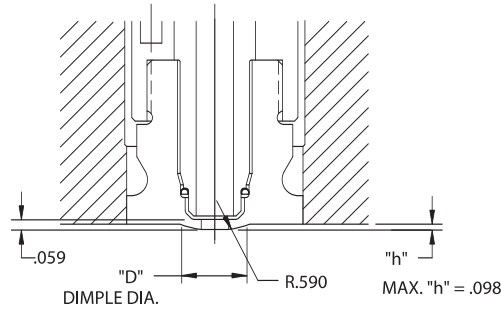
(.035" – .098")



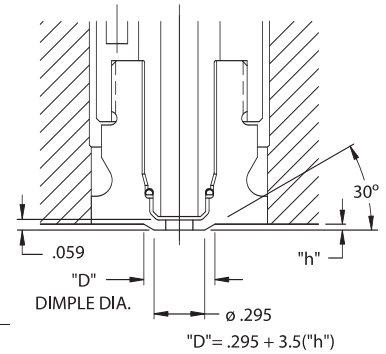
GATE MACHINING LIMITS FOR FIELD MODIFICATIONS

USB8 Bushing (inches) With CV-10 Tip

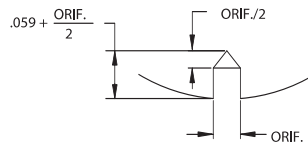
SPHERICAL GATE RECESS



CONICAL GATE RECESS



NOTE:
FOR MOST MATERIALS, CV-10 VESTIGE HEIGHT IS EQUAL TO (.059" + ORIF./2). IF VESTIGE HEIGHT RELATIVE TO THE POSSIBLE GATE RECESS DEPTH IS TOO GREAT, USE OF A CV-11 TIP IS RECOMMENDED TO PRODUCE A SHORTER VESTIGE HEIGHT.

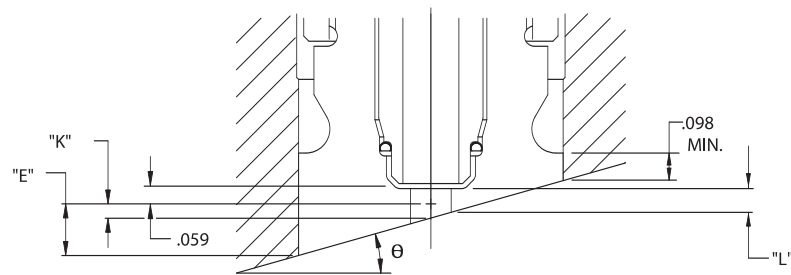


$$"D" = 2\sqrt{"h"(1.181 - "h")}$$

RECESS "h"	"D"
.024	.333
.035	.401
.047	.462
.059	.515
.071	.561
.083	.604
.098	.639

RECESS "h"	"D"
.024	.379
.035	.418
.047	.460
.059	.502
.071	.544
.083	.586
.098	.624

ANGLED MOLD CONTOUR



$$\theta \leq 12^\circ ; "K" = 0$$

$$"E" = .500 \tan \theta$$

$$"L" = .059 - \left(\frac{\text{ORIFICE DIA.}}{2} \right) \tan \theta$$

$$\theta > 12^\circ ; "K" = .500 \tan \theta - .098$$

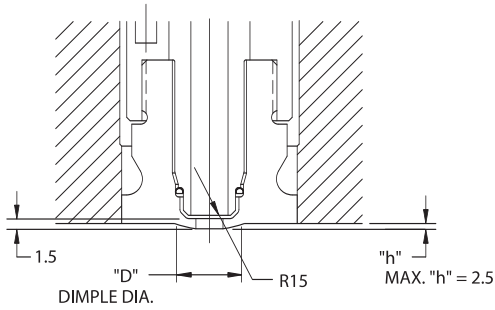
$$"E" = 1.000 \tan \theta - .098$$

$$"L" = .098 + "K" - \left(\frac{\text{ORIFICE DIA.}}{2} \right) \tan \theta$$

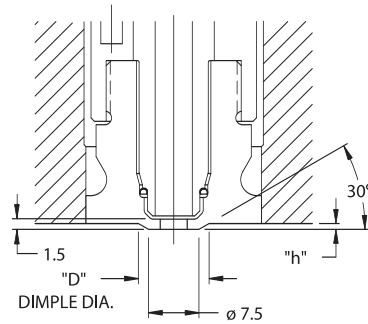
NOTE:
"K" IS THE INCREASE IN ORIFICE LAND NECESSARY TO MAINTAIN .098 MINIMUM CONTACT.

SB8 Bushing (metric) With CV-10 Tip

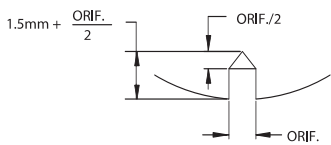
SPERICAL GATE RECESS



CONICAL GATE RECESS



NOTE:
FOR MOST MATERIALS, CV-10 VESTIGE HEIGHT IS EQUAL TO (1.5mm + ORIF./2). IF VESTIGE HEIGHT RELATIVE TO THE POSSIBLE GATE RECESS DEPTH IS TOO GREAT, USE OF A CV-11 TIP IS RECOMMENDED TO PRODUCE A SHORTER VESTIGE HEIGHT.



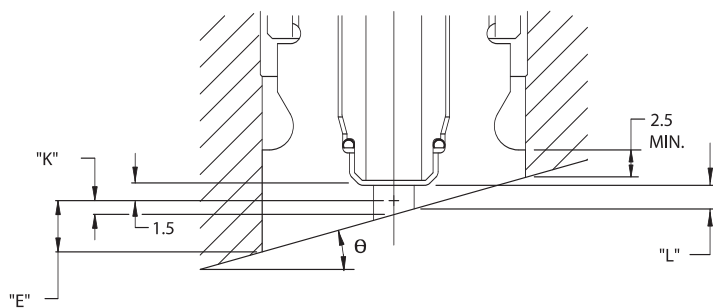
"D" = $2\sqrt{h(30 - h)}$

RECESS "h"	"D"
0.5	7.7
0.7	9.1
1.0	10.8
1.3	12.2
1.6	13.5
1.9	14.6
2.2	15.6
2.5	16.6

"D" = $7.5 + 3.5(h)$

ORIFICE	RECESS "h"
0.5	9.3
0.7	10.0
1.0	11.0
1.3	12.1
1.6	13.1
1.9	14.2
2.2	15.2
2.5	16.3

ANGLED MOLD CONTOUR



NOTE:
"K" IS THE INCREASE IN ORIFICE LAND NECESSARY TO MAINTAIN 2.5 MINIMUM CONTACT.

$\theta \leq 12^\circ ; "K" = 0$

"E" = $12.5 \tan \theta$

"L" = $1.5 - \left(\frac{\text{ORIFICE DIA.}}{2}\right) \tan \theta$

$\theta > 12^\circ ; "K" = 12.5 \tan \theta - 2.5$

"E" = $25 \tan \theta - 2.5$

"L" = $1.5 + "K" - \left(\frac{\text{ORIFICE DIA.}}{2}\right) \tan \theta$

GATE MACHINING LIMITS FOR FIELD MODIFICATIONS

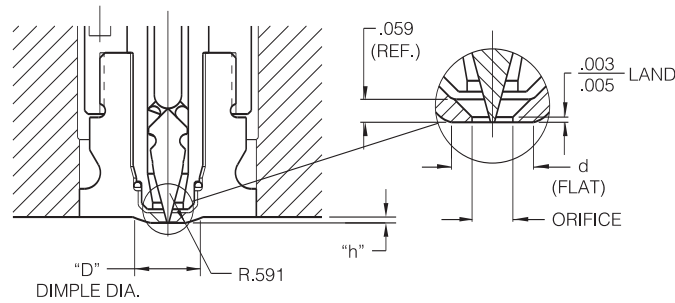
Notes

See Table 1&2 for recommended dimensions when vestige must be below part surface.

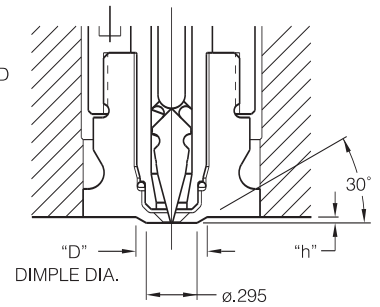
Consult Synventive when using glass fibers or other fillers.

USB8 Bushing (inches) With CV-11 Tip

SPHERICAL GATE RECESS



CONICAL GATE RECESS



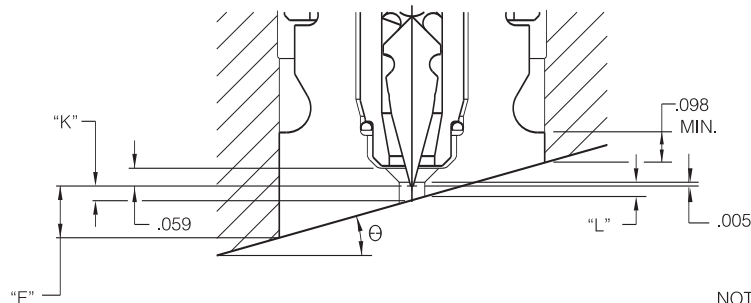
MAX. "h" = .098

"D" = .295 + 3.5"h"

ORIFICE DIA.	RECESS h	d	D
.035-.043	.024	.053	.340
.043-.051	.027	.061	.357
.051-.059	.030	.069	.377
.059-.067	.032	.077	.393
.067-.075	.035	.085	.411
.075-.083	.038	.093	.425
.083-.091	.040	.100	.439
.091-.098	.043	.108	.456

ORIFICE	RECESS "h"	"D"
.035	.022	.372
.039	.023	.376
.047	.026	.386
.059	.030	.400
.071	.034	.414
.079	.037	.425
.087	.039	.432
.089	.043	.446

ANGLED MOLD CONTOUR



NOTE:
K IS THE INCREASE IN ORIFICE LAND NECESSARY TO MAINTAIN .005 LAND AND/OR .098 MINIMUM CONTACT.

$$\theta < 11^\circ; "K" = \left(\frac{\text{ORIFICE DIA.}}{2} \right) \text{TAN } \theta$$

$$"E" = \left(\frac{1.000 + \text{ORIFICE DIA.}}{2} \right) \text{TAN } \theta$$

$$"L" = .005$$

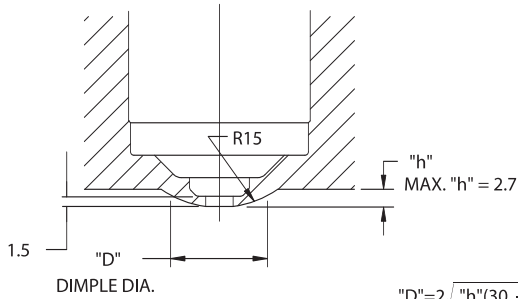
$$\theta > 11^\circ; "K" = \left(\frac{.965 - \text{ORIFICE DIA.}}{2} \right) \text{TAN } \theta - .098$$

$$"E" = K + .5\text{TAN } \theta$$

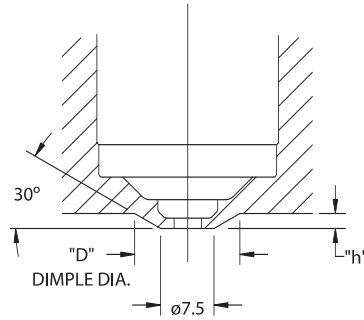
$$"L" = .005 + "K" - \left(\frac{\text{ORIFICE DIA.}}{2} \right) \text{TAN } \theta$$

SB8 Bushing (metric) With CV-20 Tip

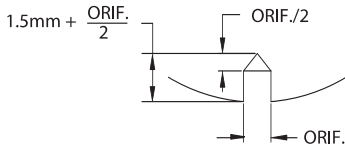
SPHERICAL GATE RECESS



CONICAL GATE RECESS



NOTE:
FOR MOST MATERIALS, CV-10 VESTIGE HEIGHT IS EQUAL TO (1.5mm + ORIF./2). IF VESTIGE HEIGHT RELATIVE TO THE POSSIBLE GATE RECESS DEPTH IS TOO GREAT, USE OF A CV-21 TIP IS RECOMMENDED TO PRODUCE A SHORTER VESTIGE HEIGHT.



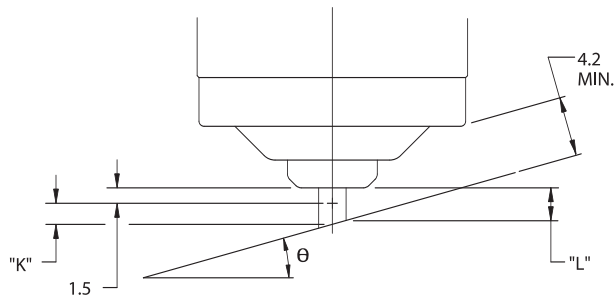
$$"D" = 2\sqrt{"h"(30 - "h")}$$

TABLE 1	
RECESS "h"	"D"
0.6	8.4
0.9	10.2
1.2	11.8
1.5	13.1
1.8	14.2
2.1	15.3
2.4	16.3
2.7	17.2

$$"D" = 7.5 + 3.5 "h"$$

TABLE 2	
ORIFICE	"h"
0.6	9.6
0.9	10.7
1.2	11.7
1.5	12.8
1.8	13.8
2.1	14.9
2.4	15.9
2.7	17.0

ANGLED MOLD CONTOUR



NOTE:

"K" IS THE INCREASE IN ORIFICE LAND NECESSARY TO MAINTAIN 4.2 MINIMUM WALL THICKNESS.

$$\theta \leq 14^\circ ; "K" = 0$$

$$"L" = K - \left(\frac{\text{ORIFICE DIA.}}{2} \right) \text{TAN } \theta + 1.5$$

$$\theta > 14^\circ ; "K" = 12.5 \text{TAN } \theta + \frac{4.2}{\text{COS } \theta} - 7.5$$

$$"L" = 1.5 + "K" - \left(\frac{\text{ORIFICE DIA.}}{2} \right) \text{TAN } \theta$$

GATE MACHINING LIMITS FOR FIELD MODIFICATIONS

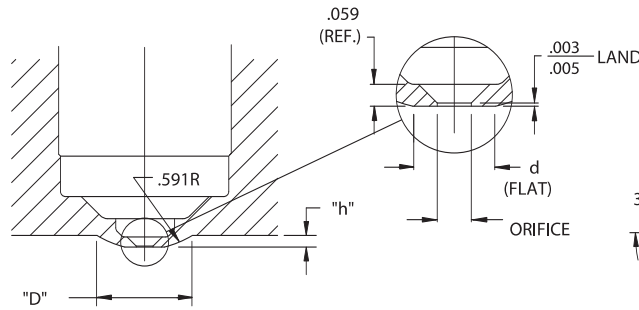
Notes

See Table 1&2 for recommended dimensions when vestige must be below part surface.

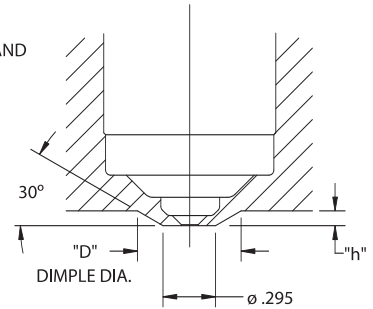
Consult Synventive when using glass fibers or other fillers.

USB8 Bushing (inches) With CV-21 Tip

SPHERICAL GATE RECESS



CONICAL GATE RECESS



DIMPLE DIA.

MAX. "h" = .106

TABLE 1			
ORIFICE DIA.	RECESS h	d	D
.035-.043	.024	.053	.340
.043-.051	.027	.061	.357
.051-.059	.030	.069	.377
.059-.067	.032	.077	.393
.067-.075	.035	.085	.411
.075-.083	.038	.093	.425
.083-.091	.040	.100	.439
.091-.098	.043	.108	.456

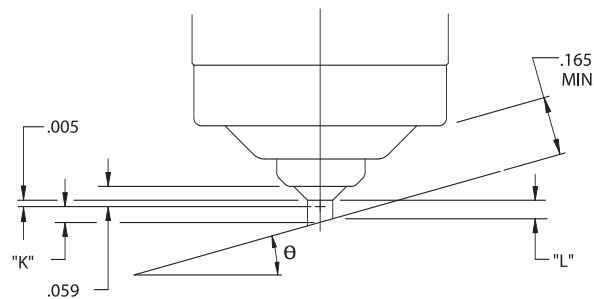
"D" = .295 + 3.5 "h"

TABLE 2		
ORIFICE	RECESS "h"	"D"
.035	.022	.372
.039	.023	.376
.047	.026	.386
.059	.030	.400
.071	.034	.414
.079	.037	.425
.087	.039	.432
.098	.043	.446

SEE TABLE 1&2 FOR RECOMMENDED DIMENSIONS WHEN VESTIGE MUST BE BELOW PART SURFACE.

CONSULT SYNVENTIVE WHEN USING GLASS FIBERS OR OTHER FILLERS.

ANGLED MOLD CONTOUR



NOTE:

"K" IS THE INCREASE IN ORIFICE LAND NECESSARY TO MAINTAIN .005 LAND AND/OR .165 MINIMUM WALL THICKNESS.

$$\theta \leq 14^\circ ; "K" = \left(\frac{\text{ORIFICE DIA.}}{2} \right) \text{TAN } \theta$$

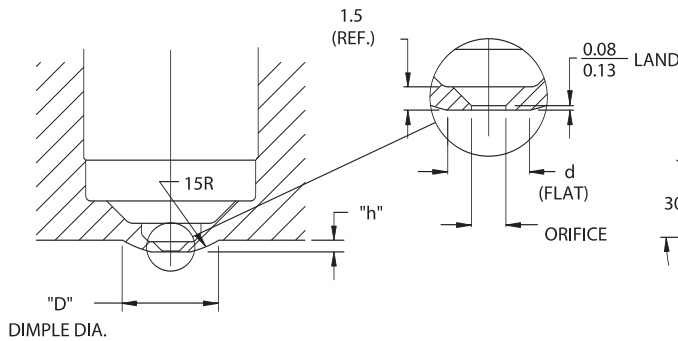
$$"L" = .005$$

$$\theta > 14^\circ ; "K" = .500 \text{TAN } \theta + \frac{.165}{\text{COS } \theta} + \left(\frac{\text{ORIFICE DIA.} - .035}{2} \right) \text{TAN } \theta - .295$$

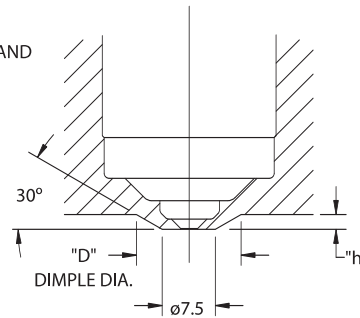
$$"L" = .005 + "K" - \left(\frac{\text{ORIFICE DIA.}}{2} \right) \text{TAN } \theta$$

SB8 Bushing (metric) With CV-21 Tip

SPHERICAL GATE RECESS



CONICAL GATE RECESS



Notes

See Table 1&2 for recommended dimensions when vestige must be below part surface.

Consult Synventive when using glass fibers or other fillers.

SEE TABLE 1&2 FOR RECOMMENDED DIMENSIONS WHEN VESTIGE MUST BE BELOW PART SURFACE.

CONSULT SYNVENTIVE WHEN USING GLASS FIBERS OR OTHER FILLERS.

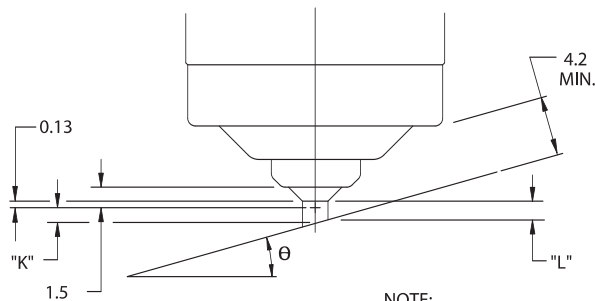
MAX. "h" = 2.7

ORIFICE DIA.	RECESS "h"	d	D
0.90 - 1.10	0.62	1.35	8.64
1.10 - 1.30	0.68	1.55	9.06
1.30 - 1.50	0.76	1.75	9.58
1.50 - 1.70	0.82	1.95	9.97
1.70 - 1.90	0.90	2.15	10.45
1.90 - 2.10	0.96	2.35	10.80
2.10 - 2.30	1.02	2.55	11.15
2.30 - 2.50	1.10	2.75	11.58

"D" = 7.5 + 3.5 "h"

ORIFICE	RECESS "h"	"D"
0.90	0.56	9.5
1.00	0.59	9.6
1.20	0.66	9.8
1.50	0.76	10.2
1.80	0.86	10.5
2.00	0.93	10.8
2.20	0.99	11.0
2.50	1.09	11.3

ANGLED MOLD CONTOUR



NOTE:

"K" IS THE INCREASE IN ORIFICE LAND NECESSARY TO MAINTAIN 0.13 LAND AND/OR 4.2 MINIMUM WALL THICKNESS.

$$\theta \leq 14^\circ ; "K" = \left(\frac{\text{ORIFICE DIA.}}{2} \right) \text{TAN } \theta$$

$$"L" = 0.13$$

$$\theta > 14^\circ ; "K" = 12.5 \text{TAN } \theta + \frac{4.2}{\text{COS } \theta} + \left(\frac{\text{ORIFICE DIA.} - 0.9}{2} \right) \text{TAN } \theta - 7.5$$

$$"L" = 0.13 + "K" - \left(\frac{\text{ORIFICE DIA.}}{2} \right) \text{TAN } \theta$$

ORIFICE DIAMETER GUIDELINES

This table lists the normal gate orifice required to fill an average cavity of the listed wall thickness and surface area.

Part Area inch ² /(mm ²)*	WALL THICKNESS inch/(mm)									
	.030 (.75)	.040 (1.0)	.050 (1.25)	.060 (1.50)	.070 (1.75)	.080 (2.0)	.090 (2.25)	.100 (2.50)	.125 (3.0)	.156 (4.0)
1.0 (600)	.035 (0.90)	.035 (0.90)	.035 (0.90)	.035 (0.90)	.035 (0.90)	.035 (0.90)	.037 (0.95)	.039 (2.00)	.044 (1.12)	.050 (1.27)
2.0 (1200)	.035 (0.90)	.035 (0.90)	.035 (0.90)	.036 (0.92)	.039 (1.00)	.041 (1.05)	.044 (1.12)	.046 (1.17)	.052 (1.32)	.059 (1.50)
3.0 (1800)	.035 (0.90)	.035 (0.90)	.037 (0.95)	.040 (1.02)	.043 (1.10)	.046 (1.17)	.049 (1.25)	.051 (1.30)	.058 (1.47)	.066 (1.68)
4.0 (2400)	.035 (0.90)	.035 (0.90)	.040 (1.02)	.043 (1.10)	.047 (1.20)	.049 (1.25)	.053 (1.35)	.055 (1.40)	.062 (1.58)	.070 (1.78)
5.0 (3000)	.035 (0.90)	.037 (0.95)	.042 (1.07)	.046 (1.17)	.049 (1.25)	.052 (1.32)	.056 (1.42)	.058 (1.47)	.065 (1.65)	.074 (1.88)
10.0 (6000)	.038 (1.00)	.044 (1.12)	.050 (1.27)	.054 (1.37)	.059 (1.50)	.062 (1.58)	.066 (1.68)	.069 (1.76)	.078 (1.98)	.089 (2.26)
20.0 (12,000)	.046 (1.17)	.052 (1.32)	.060 (1.53)	.065 (1.65)	.070 (1.78)	.074 (1.88)	.079 (2.00)	.082 (2.08)	.093 (2.36)	.105 (2.67)
30.0 (18,000)	.051 (1.30)	.058 (1.47)	.066 (1.68)	.072 (1.83)	.077 (1.96)	.081 (2.06)	.087 (2.21)	.091 (2.31)	.103 (2.62)	.117 (2.97)
40.0 (24,000)	.054 (1.37)	.062 (1.58)	.071 (1.80)	.077 (1.96)	.083 (2.10)	.088 (2.24)	.094 (2.39)	.098 (2.49)	.110 (2.80)	.125 (3.18)
50.0 (30,000)	.057 (1.45)	.065 (1.65)	.075 (1.90)	.081 (2.06)	.088 (2.24)	.093 (2.36)	.099 (2.51)	.104 (2.64)	.116 (2.95)	.132 (3.35)
60.0 (36,000)	.060 (1.53)	.068 (1.73)	.078 (1.98)	.085 (2.16)	.092 (2.34)	.097 (2.46)	.104 (2.64)	.109 (2.77)	.122 (3.10)	.139 (3.53)
70.0 (42,000)	.062 (1.58)	.071 (1.80)	.082 (2.08)	.089 (2.26)	.095 (2.41)	.101 (2.57)	.108 (2.75)	.113 (2.87)	.127 (3.23)	.144 (3.66)
80.0 (48,000)	.065 (1.65)	.074 (1.88)	.084 (2.13)	.092 (2.34)	.099 (2.51)	.104 (2.64)	.111 (2.82)	.117 (2.97)	.131 (3.33)	.149 (3.79)
90.0 (54,000)	.067 (1.70)	.076 (1.93)	.087 (2.21)	.094 (2.39)	.102 (2.60)	.107 (2.72)	.115 (2.92)	.120 (3.05)	.135 (3.43)	.153 (3.89)
100.0 (60,000)	.068 (1.73)	.078 (1.98)	.089 (2.26)	.097 (2.46)	.104 (2.64)	.110 (2.80)	.118 (3.00)	.123 (3.12)	.139 (3.53)	.157 (3.99)
150.0 (90,000)	.076 (1.93)	.086 (2.18)	.099 (2.51)	.107 (2.72)	.115 (2.92)	.122 (3.10)	.130 (3.30)	.136 (3.45)	.153 (3.89)	.174 (4.42)
200.0 (120,000)	-	.093 (2.36)	.106 (2.70)	.115 (2.92)	.124 (3.1)	.131 (3.33)	.140 (3.56)	.147 (3.73)	.165 (4.20)	.187 (4.75)
300.0 (180,000)	-	-	.117 (2.97)	.127 (3.23)	.137 (3.48)	.145 (3.68)	.155 (3.94)	.162 (4.15)	.182 (4.62)	.207 (5.26)
400.0 (240,000)	-	-	-	.137 (3.48)	.148 (3.76)	.156 (3.98)	.166 (4.22)	.174 (4.42)	.196 (4.98)	.218 (5.54)

* Part area is total outside surface area not projected area (i.e. includes side walls, etc.).

- Material Factors:
 - Use Tabulated Orifice for PE, PP, PS, SAN, PUR
 - Use Tabulated Orifice x 1.15 for Acetal, PC, PPO, ABS
 - Use Tabulated Orifice x 1.30 for Acrylic, Nylon, PET, PBT (see note 5)
 - Use Tabulated Orifice x 1.50 for PVC
- This diameter is based on the flow and freeze characteristics of each type of plastic at its normal processing conditions. It is not dependent on the type of nozzle or whether it is fed by a hot or cold runner system.
 - Hot Runner Gates: CV-10, CV-11, CV-11S, CV-20, CV-21, CV-21S, EG-10
 - Cold Runner Gates: Pin, Sub-Gate, Edge-Gate

This diameter size applies to most gate styles.
- Some of the listed wall thickness and surface area combinations are not applicable to all plastics because of flow-length-to-wall ratios of each plastic – consult plastic supplier's processing recommendations (e.g. 400 inch² surface area of .060 (1.50 mm) wall is possible for some cavities with PE, but is not possible with most other plastics).
- The gate diameter limitations – minimum and maximum – which apply to each Synventive hot runner nozzle may require the actual gate to be slightly smaller or larger than the tabulated orifice.
- Due to the crystalline nature of Nylon, PET and PBT, the minimum orifice for non-reinforced grades should be .094 (2.39 mm) and for reinforced grades .156 (3.96 mm).
- For filled crystalline materials, nylon, PET and PBT when using full flow inserts, the gate orifice should be 1mm smaller than the insert orifice.

Material Compatibility

MATERIAL	Synventive Hot Sprue Bushings			
	USB5*, SB5*, USB8, SB8, SB13, SB15 & SB24**			
	Synventive Tip Styles			
	CV-10	CV-11	CV-20	CV-21
ABS	1	1	1	1
ABS GR ***	1	2	1	2
ACETAL (POM)	NR	1	NR	1
ACETAL GR	1	2	1	2
ACRYLIC	1	1	1	1
LCP	NR	1	NR	1
PPO	1	1	1	1
NYLON 6 ***	NR	1	NR	1
NYLON 6 GR ***	1	2	1	2
NYLON 66 ***	NR	1	NR	1
NYLON 66 GR ***	1	2	1	2
NYLON 66 (MINERAL FILLED) ***	NR	1	NR	1
POLYCARBONATE ***	1	1	1	1
POLYCARBONATE GR	1	2	1	2
PC/ABS BLEND	1	1	1	1
PC/POLYESTER BLEND	1	1	1	1
POLYESTER (PBT) ***	NR	1	NR	1
POLYESTER (PBT) GR ***	1	2	1	2
POLYESTER (PET) BOTTLE GRADE	1	1	1	1
POLYESTER (PET) GR ***	1	2	1	2
POLYETHYLENE	1	1	1	1
POLYPROPYLENE	1	1	1	1
POLYSTYRENE	1	1	1	1
STYRENE-ACRYLONITRILE (SAN)	1	1	1	1
STYRENE BUTADIENE	1	1	1	1
STYRENE MALEIC ANHYDRIDE (SMA)	1	1	1	1
SMA (GR)	1	2	1	2
POLYURETHANE	1	1	1	1
PVC RIGID ***	1	2	1	2
PVC FLEXIBLE ***	2	1	2	1
TPE	NR	1	NR	1
TPR	NR	1	NR	1
TPO	1	1	1	1

Notes

GR-Glass Reinforced

NR-Not Recommended for Most Applications

Recommended Tip/Bushing

1. Most Suitable
2. Suitable with some reservations:
e.g. Gate Control, etc.
(Not as good as category 1)
See page 24 for correct Orifice Sizing

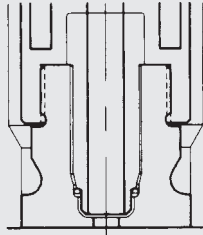
* USB5 & SB5 Bushings are NR-For Glass Filled Materials.

** SB24 Bushings are available with CV-10 & CV-20 tips only.

*** See Orifice Diameter Requirements, page 24.

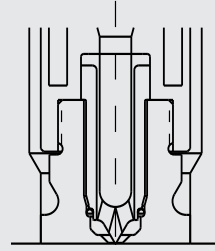
CONTROLLED VESTIGE (CV) TIPS

CV-10 Full-Flow



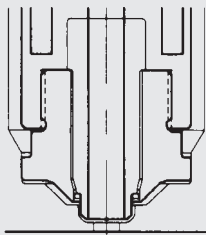
- This is the most widely used tip.
- Vestige height is equal to orifice diameter.
- Provides best gate control for most materials.
- Open flow bore provides low pressure drop.
- Tramp metal can usually flow through tip.
- Orifice is increased by simple straight reaming of diameter.

CV-11 Cone



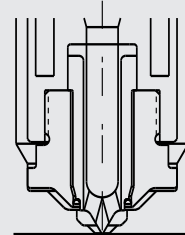
- This tip style is used primarily to provide reduced vestige height, 0.4- 0.9mm high for all materials.
- Cone Point adds heat to center of orifice for nylon, acetal and PBT.
- Orifice adjustment requires added machining to hold land length at 0.08/0.13mm.

CV-20 Full-Flow



- Same as CV-10 except gate orifice is machined into mold plate to eliminate circular witness mark of tip.
- For use in gating into runner or directly onto part surface.

CV-21 Cone



- Same as CV-11 except gate orifice is machined into mold plate to eliminate circular witness mark of tip.
- For use in gating into runner or directly onto part surface.

ACCESSORIES

REPLACEMENT BAND HEATERS

DESCRIPTION	PART NO.
USB5/SB5 and USB8/SB8	
45mm (1.75") I.D. x 35mm (1.38") wide, 450 Watts, 120 Volts	81-16-105
240 Volts	81-16-107
SB13	
50mm I.D. x 50mm wide, 750 Watts, 120 Volts	81-20-114
240 Volts	81-20-116
SB15	
44.5mm I.D. x 50mm wide, 750 Watts, 120 Volts	81-16-112
240 Volts	81-16-113
SB24B	
57mm I.D. x 64mm wide, 1000 Watts, 120 Volts	81-22-124
240 Volts	81-22-125

REPLACEMENT THERMOCOUPLES

DESCRIPTION	PART NO.
T°C for USB5, SB5, USB8, SB8, SB13	83-10-048
T°C for SB15	83-74-120

TEMPERATURE CONTROLLERS

Single Zone 15 Amp Temperature Controller includes one thermocouple connector (80-M2MJ)

Catalog Number	Amp/Voltage	Input connector Catalog No.*	Output connector Catalog No.*
80-PIM1A15	15A/240V	80-AC1524F (NEMA 6-15)	80-AC1524M (NEMA 6-15)
80-PIM1A151	15A/120V	80-AC1512F (NEMA 5-15)	80-AC1512M (NEMA 5-15)

Synventive offers a complete line of single and multi-zone temperature control systems. For details, see Temperature Control Systems Design Manual.

USB8 AND SB8 TIP REMOVAL/REPLACEMENT

Tip Removal

1. Slip each half of split wrench onto flats of tip. Slide 27mm 6 point deep socket wrench over split wrench. Torque off tip with wrench assembly. See Figure 1.
2. Tips are usually removed at room temperature. If tip does not break free, heat bushing to operating melt temperature.

Insert Removal

1. The conductive BeCu insert should only be removed if it is to be replaced by a new insert. Reinstallation of the same insert may affect the heat transfer from the steel body to the BeCu insert.
2. Using a 5.1mm dia. drill, machine into the center of the insert for a depth of 12mm, and then thread using a M6 tap.
3. After the insert is tapped, thread in a M6 rod. Place the insert removal tool (Figure 3) over the rod. Using a M6 nut, thread the nut against the removal tool to pull out the insert. See Figure 2.

Tip Replacement

1. Clean any and all plastic from SYNVENTIVE-SEAL and from the inside sealing diameter on tip. Care must be taken not to damage SYNVENTIVE-SEAL.
2. Verify seating between tip and body by the application of blueing to tip seat.
3. Verify that the SYNVENTIVE-SEAL is in place prior to tip installation.
4. Torque tip to the recommended torque of 12.4 kg.M (90 ft.lb) for all tip styles (see tip removal for wrenching information).

Insert Replacement

1. Clean any and all plastic from the insert counter bore, measure the insert counter bore diameter and insert press diameter.
2. The diameter of the insert should be .013-.030mm larger than the diameter of the mating counter bore in the steel body. This is necessary to assure proper heat transfer to the BeCu insert.
3. The insert must be pressed so that the insert shoulder is flush with the tip seat $\pm .013$ mm (Figure 4). This is achieved by using the insert installation tool as shown in Figure 5. Use a small arbor press.

SYNVENTIVE-SEAL Replacement

Always inspect the SYNVENTIVE-SEAL when replacing a tip. No plastic should have leaked past the seal, nor should there be scratches or dents in the seal O.D. Thermal operation of the gate will be affected by any damage or plastic leakage.

Remove a damaged SYNVENTIVE-SEAL by using a removal tool to avoid scratching the insert sealing diameter. Replace the SYNVENTIVE-SEAL only onto an insert sealing diameter that is smooth and free of plastic. Use a light arbor press and pressing tool to bottom the SYNVENTIVE-SEAL on the insert shoulder. Do not overpress.

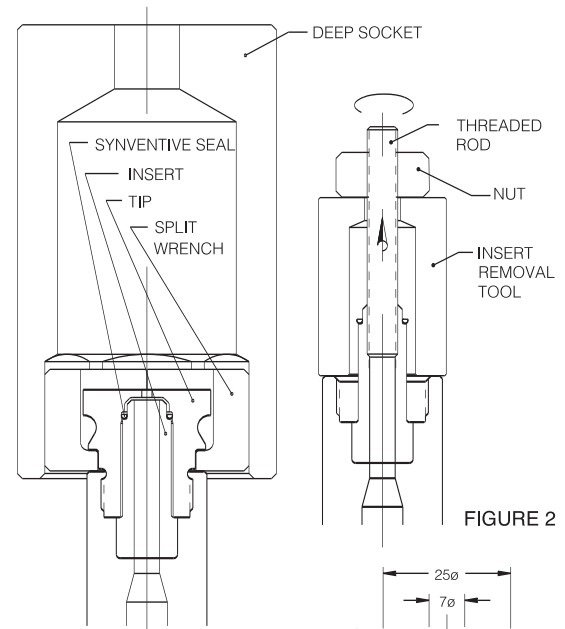


FIGURE 1

FIGURE 2

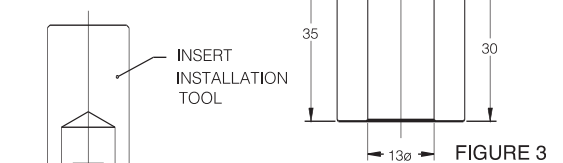


FIGURE 3

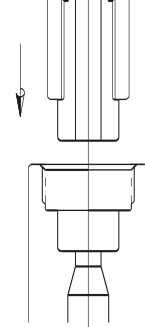


FIGURE 4

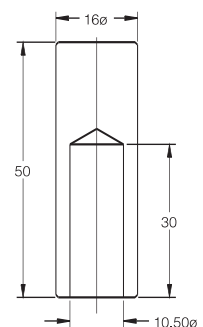
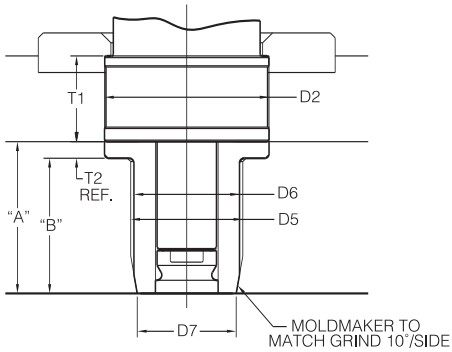


FIGURE 5

For USB5 And SB5 Bushing

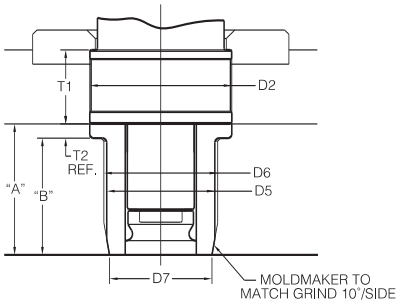


	SB5	USB5
T1	26.0	.875
T2	5.0	.187
D2	50.0	2.000
D5	32.0	1.250
D6	34.0	1.350
D7	30.0	1.187

MODEL #	A	B
USB5-0020	0.875	.688
USB5-1010	1.375	1.188
USB5-1020	1.875	1.688
USB5-2010	2.375	2.188
USB5-2020	2.875	2.688
USB5-3010	3.375	3.188
USB5-3020	3.875	3.688
USB5-4010	4.375	4.188

MODEL #	A	B
SB5-022	22.0	17.0
SB5-027	27.0	22.0
SB5-036	36.0	31.0
SB5-046	46.0	41.0
SB5-056	56.0	51.0
SB5-066	66.0	61.0
SB5-076	76.0	71.0
SB5-086	86.0	81.0
SB5-096	96.0	91.0
SB5-106	106.0	101.0

For USB8 And SB8 Bushing

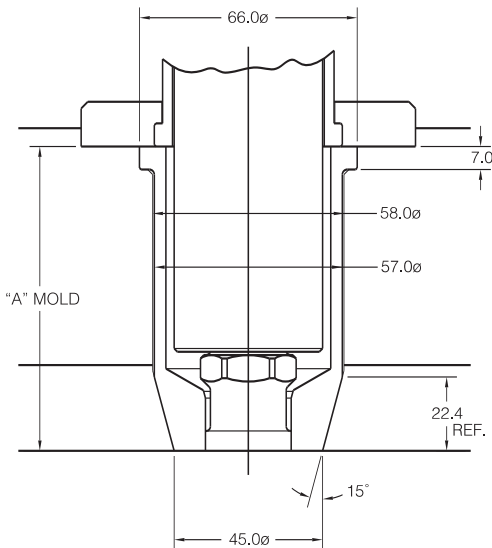


	SB8	USB8
T1	26.0	.875
T2	5.0	.187
D2	50.0	2.000
D5	38.0	1.500
D6	40.0	1.575
D7	36.0	1.420

MODEL #	A	B
USB8-1010	1.375	1.188
USB8-1020	1.875	1.688
USB8-2010	2.375	2.188
USB8-2020	2.875	2.688
USB8-3010	3.375	3.188
USB8-3020	3.875	3.688
USB8-4010	4.375	4.188
USB8-4020	4.875	4.688

MODEL #	A	B
SB8-027	27.0	22.0
SB8-036	36.0	31.0
SB8-046	46.0	41.0
SB8-056	56.0	51.0
SB8-066	66.0	61.0
SB8-076	76.0	71.0
SB8-086	86.0	81.0
SB8-096	96.0	91.0
SB8-106	106.0	101.0
SB8-116	116.0	111.0

For SB13 Bushing



NOTE

DUE TO NON-STANDARD CUSTOM "A" LENGTHS FOUND ON SB13 BUSHINGS THE MOLD MAKER MUST DESIGN AND MANUFACTURE A CUSTOM STRIPPER SLEEVE. THE FOLLOWING INFORMATION IS PROVIDED TO HELP DESIGN THE PROPER STRIPPER SLEEVE