

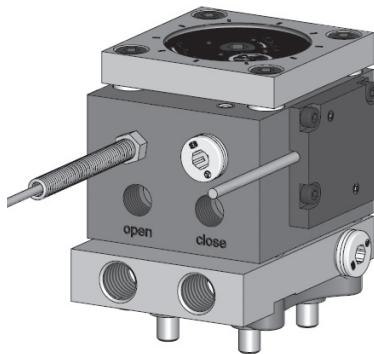


## 8 Actuators

### 8.1 Hydraulic Actuators

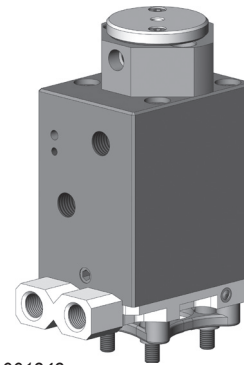
This section describes the disassembly and reassembly process to replace seals and adjust the valve pin for the following production series:

#### HB...Series



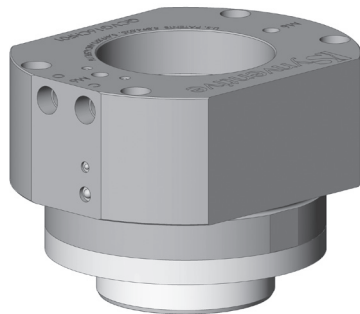
Doc006418.png

#### HYC...M Series



Doc001343.png

#### QCVG Series



Doc003005.tif