

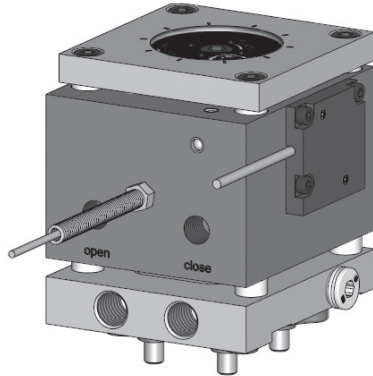


Pneumatic Actuators

8.2 Pneumatic Actuators

This section describes the disassembly and reassembly process to replace seals and adjust the valve pin for the following production series:

PB...Series



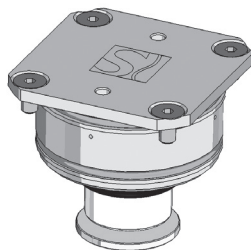
Doc006016.png

PNC...B Series



Doc003006.png

VP...P Series



Doc003511.png