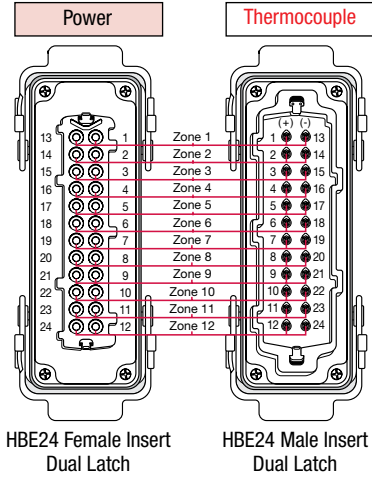
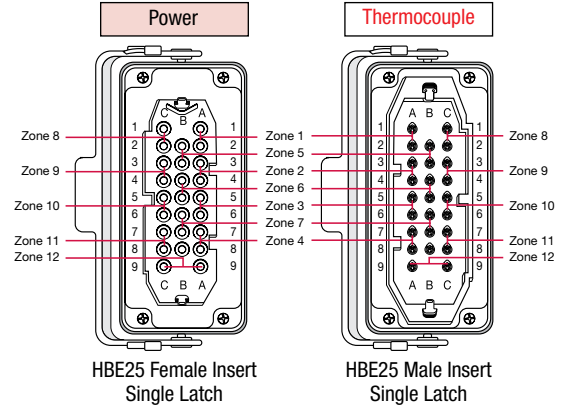


## The G24 Temperature Controller - Standard Enclosure Connectors

### S (Separate HBE24 dual latch)

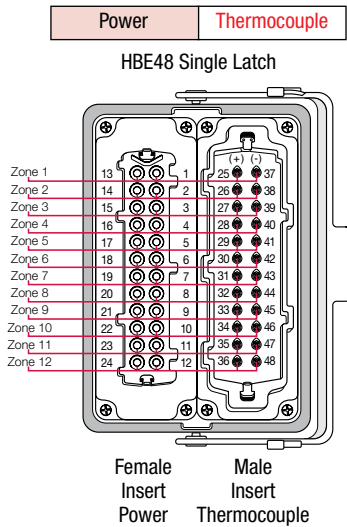


### D (Separate HD25 single latch)

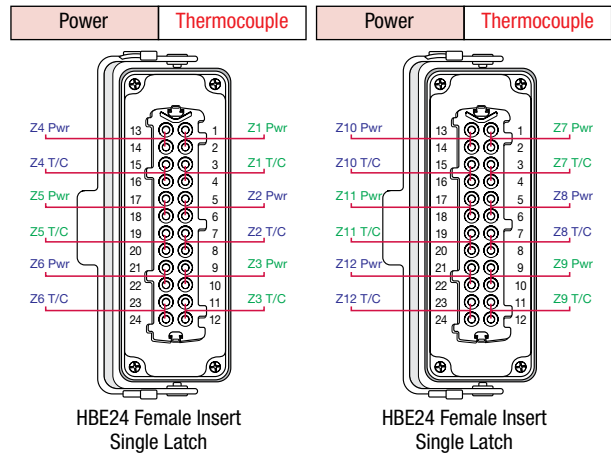


**Thermocouple Polarity**  
 (+) on pins A1, A3, A5, A7, B2, B4, B6, C1, C3, C5, C7, A9  
 (-) on pins A2, A4, A6, A8, B3, B5, B7, C2, C4, C6, C8, C9

### M (Combination HBE48 single latch)



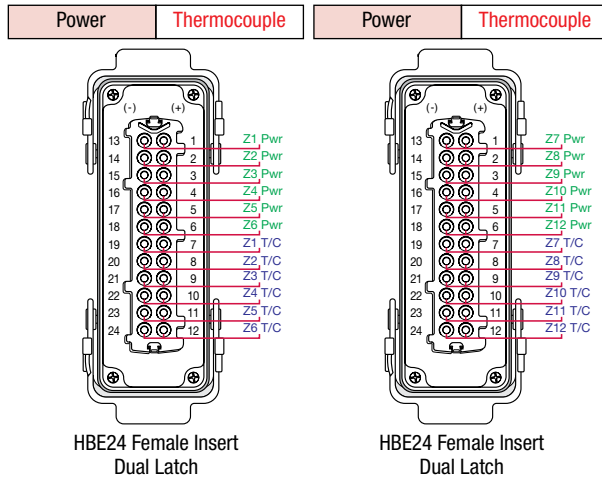
### Y (Combination HBE24 single latch)



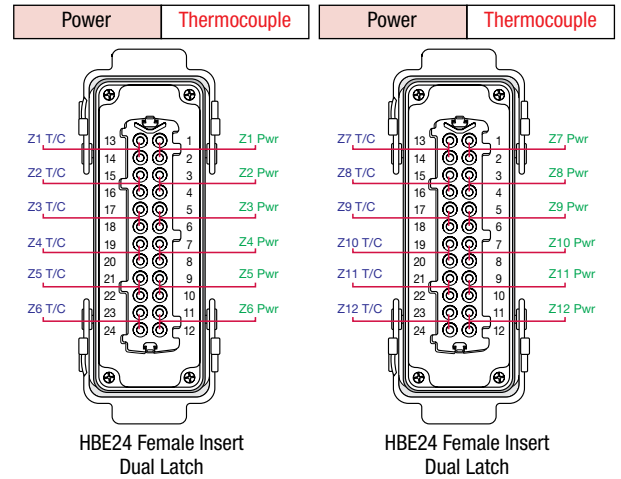
**Thermocouple Polarity**  
 (+) on pins 3, 7, 11, 15, 19, 23  
 (-) on pins 4, 8, 12, 16, 20, 24

## Standard Enclosure Connectors

### E (Combination HBE24 dual latch V1)



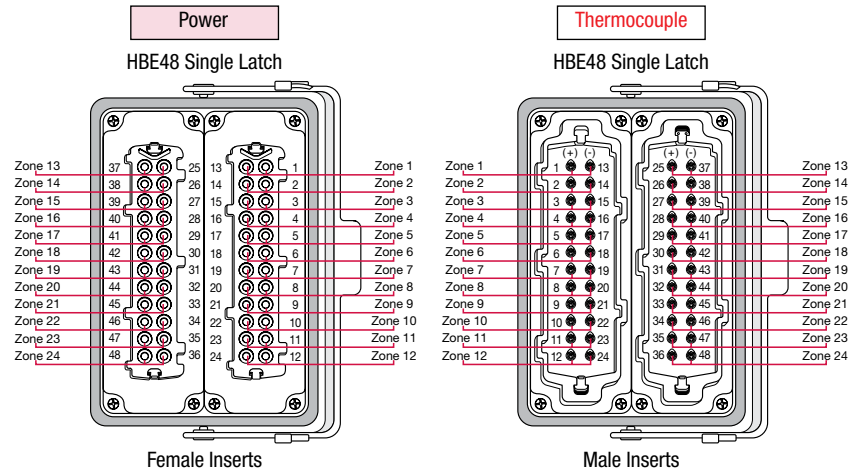
### F (Combination HBE24 dual latch V2)



**Thermocouple Polarity**  
 (+) on pins 13, 15, 17, 19, 21, 23  
 (-) on pins 14, 16, 18, 20, 22, 24



### P (Separate HBE48 Single Latch)



**North America**  
 Synventive Molding Solutions Inc.  
 10 Centennial Drive  
 Peabody, MA 01960, USA  
 Tel.: +1 978 750 8065  
 Fax: +1 978 646 3600  
 E-Mail: info@synventive.com

**Europe**  
 Synventive Molding Solutions GmbH  
 Heimrodstr. 10  
 64625 Bensheim, Germany  
 Tel.: +49 (0) 6251 / 9332-0  
 Fax: +49 (0) 6251 / 9332-90  
 E-Mail: infohrde@synventive.com

**Asia**  
 Synventive Molding Solutions (Suzhou) Co.Ltd.  
 12B Gang Tian Industrial Square  
 Suzhou Industrial Park, China 215021  
 Tel.: +86 512 6283 8870  
 Fax: +86 512 6283 8890  
 E-Mail: infohrcn@synventive.com

